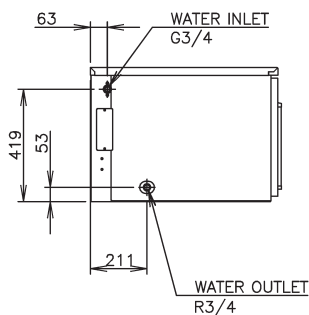
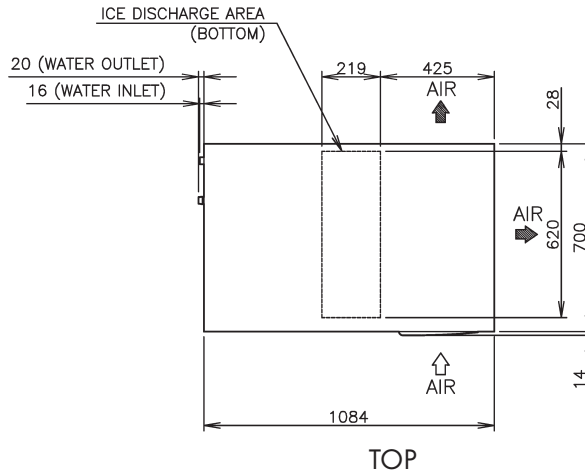


IM-240 DNE - HC 23

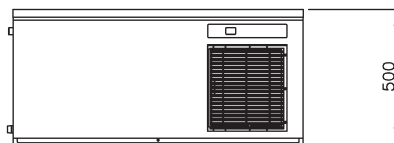


HOSHIZAKI

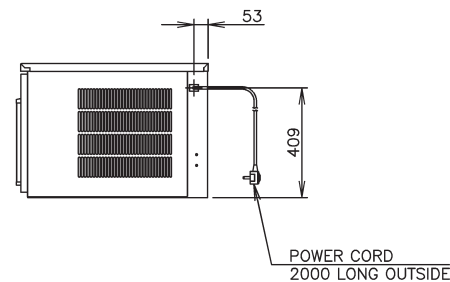
Ecological ice maker for IM cubes with separate container.
Ice production up to 180 kg/24h.
Stackable model.



RIGHT SIDE



FRONT



LEFT SIDE

SHIPPING SPECIFICATIONS

MODEL	Net Equipment Dimensions		Crated dimensions		
	W x D x H (mm)	Net Weight (kg)	W x D x H (mm)	Gross Weight (kg)	Volume (m ³)
IM-240DNE-HC-23	1084 x 700 x 500	82	1196 x 825 x 640	96	0.63

ACCESSORIES
 • Installation Kit



Hoshizaki Belgium:
 Hoshizaki Denmark:
 Hoshizaki Deutschland:
 Hoshizaki France:
 Hoshizaki Iberia:
 Hoshizaki Italia:

info@hoshizaki.be
 info@hoshizaki.dk
 info@hoshizaki.de
 info@hoshizaki.fr
 info@hoshizaki.es
 info@hoshizaki.it

Hoshizaki Middle East:
 Hoshizaki Netherlands:
 Hoshizaki Norge:
 Hoshizaki United Kingdom:
 Hoshizaki Sverige:
 Export Countries:

sales@hoshizaki.ae
 info@hoshizaki.nl
 info@hoshizaki.no
 uksales@hoshizaki.co.uk
 info@hoshizaki.se
 sales@hoshizaki.nl

www.hoshizaki-europe.com