



MODULAR CUBER

PARTS LIST

[HE]

M071, M071-D001,D002,D003,D004,D005,D006,D007,
D020,D021,D022,D023,D100,D101,D102,D103,D104,
D105,D106,D107,D122,D123

G-0 APR. 2017
J-1 AUG. 2019
K-1 OCT. 2020

IM-240DNE-HC
IM-240XNE-HC
IM-240DNE-HC-23
IM-240XNE-HC-23
IM-240DNE-HC-32
IM-240XNE-HC-32
IM-240DNE-HC-21
IM-240XNE-HC-21
IM-240DNE-HC-32-SF
IM-240XNE-HC-32-SF
IM-240DNE-HC-C
IM-240XNE-HC-C

List of Specifications

IM-240DNE-HC	M071	Standard
IM-240XNE-HC	M071-D001	X TYPE
IM-240DNE-HC-23	M071-D002	23mm ICE of IM-240DNE-HC
IM-240DNE-HC-32	M071-D003	32mm ICE of IM-240DNE-HC
IM-240XNE-HC-23	M071-D004	23mm ICE of IM-240XNE-HC
IM-240XNE-HC-32	M071-D005	32mm ICE of IM-240XNE-HC
IM-240DNE-HC-21	M071-D006	21mm ICE of IM-240DNE-HC
IM-240XNE-HC-21	M071-D007	21mm ICE of IM-240XNE-HC
IM-240DNE-HC-32-SF	M071-D020	SUS Frame of IM-240DNE-HC-32
IM-240XNE-HC-32-SF	M071-D021	SUS Frame of IM-240XNE-HC-32
IM-240DNE-HC-C	M071-D022	Cylinder ICE of IM-240DNE-HC
IM-240XNE-HC-C	M071-D023	Cylinder ICE of IM-240XNE-HC

List of Specifications *Stainless frame standard model

IM-240DNE-HC	M071-D100	Standard
IM-240XNE-HC	M071-D101	X TYPE
IM-240DNE-HC-23	M071-D102	23mm ICE of IM-240DNE-HC
IM-240DNE-HC-32	M071-D103	32mm ICE of IM-240DNE-HC
IM-240XNE-HC-23	M071-D104	23mm ICE of IM-240XNE-HC
IM-240XNE-HC-32	M071-D105	32mm ICE of IM-240XNE-HC
IM-240DNE-HC-21	M071-D106	21mm ICE of IM-240DNE-HC
IM-240XNE-HC-21	M071-D107	21mm ICE of IM-240XNE-HC
IM-240DNE-HC-C	M071-D122	Cylinder ICE of IM-240DNE-HC
IM-240XNE-HC-C	M071-D123	Cylinder ICE of IM-240XNE-HC

AUXILIARY CODE

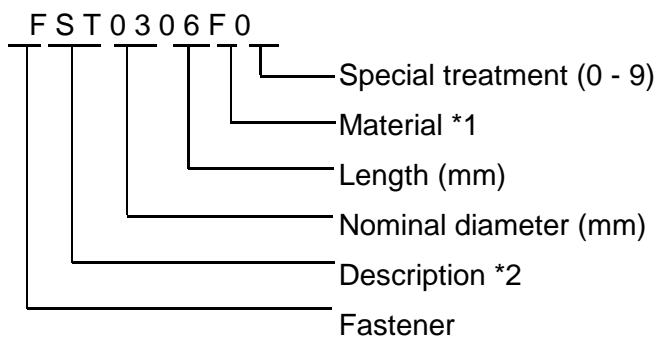
U - 1

The auxiliary code is the first two characters in the serial number. The first character indicates the production year. Years progress or regress in alphabetical order. The series of letters and skipped letters depend on UL listing, production, and model. See the auxiliary code(s) and corresponding year(s) on the front cover.

The second character indicates significant part changes within the same year. Base is "1" and this number advances for each change. If there is no significant part change at the turn of the year, this number starts from "0."

FASTENER PART NUMBER

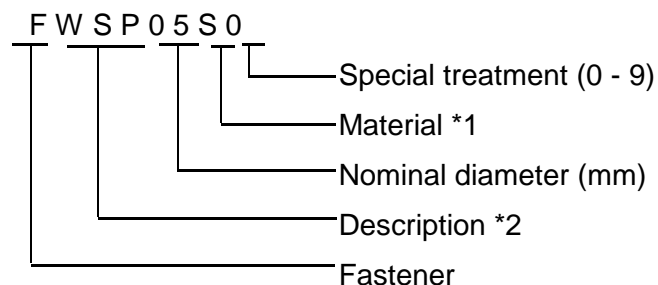
SCREWS



*1 Material

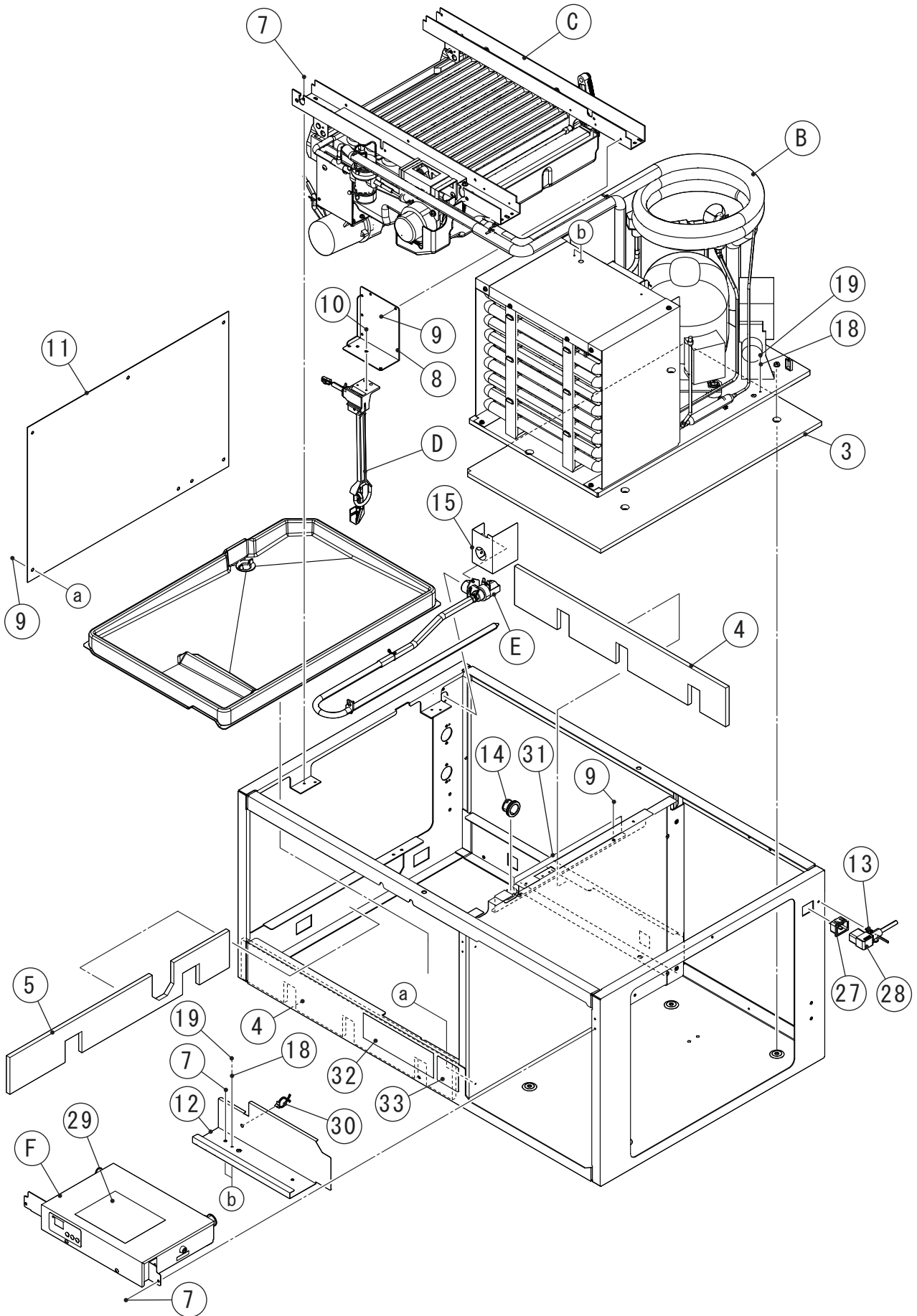
F: Steel
S: Austenitic stainless steel
M: Martensitic stainless steel
B: Copper alloy
P: Polycarbonate
N: Polyamide
V: PVC
A: ABS
X: Polyacetal
L: Aluminum

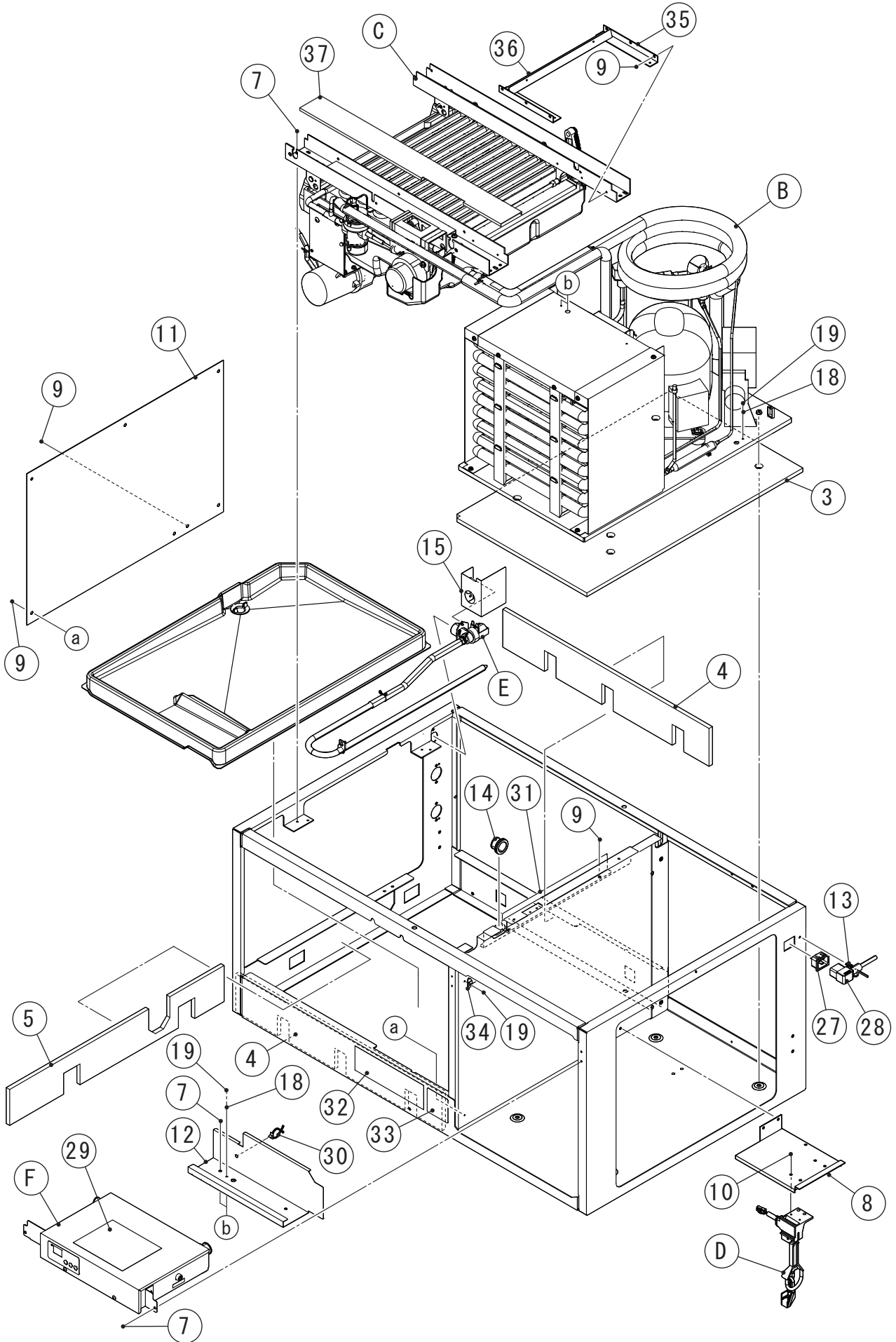
NUTS & WASHERS

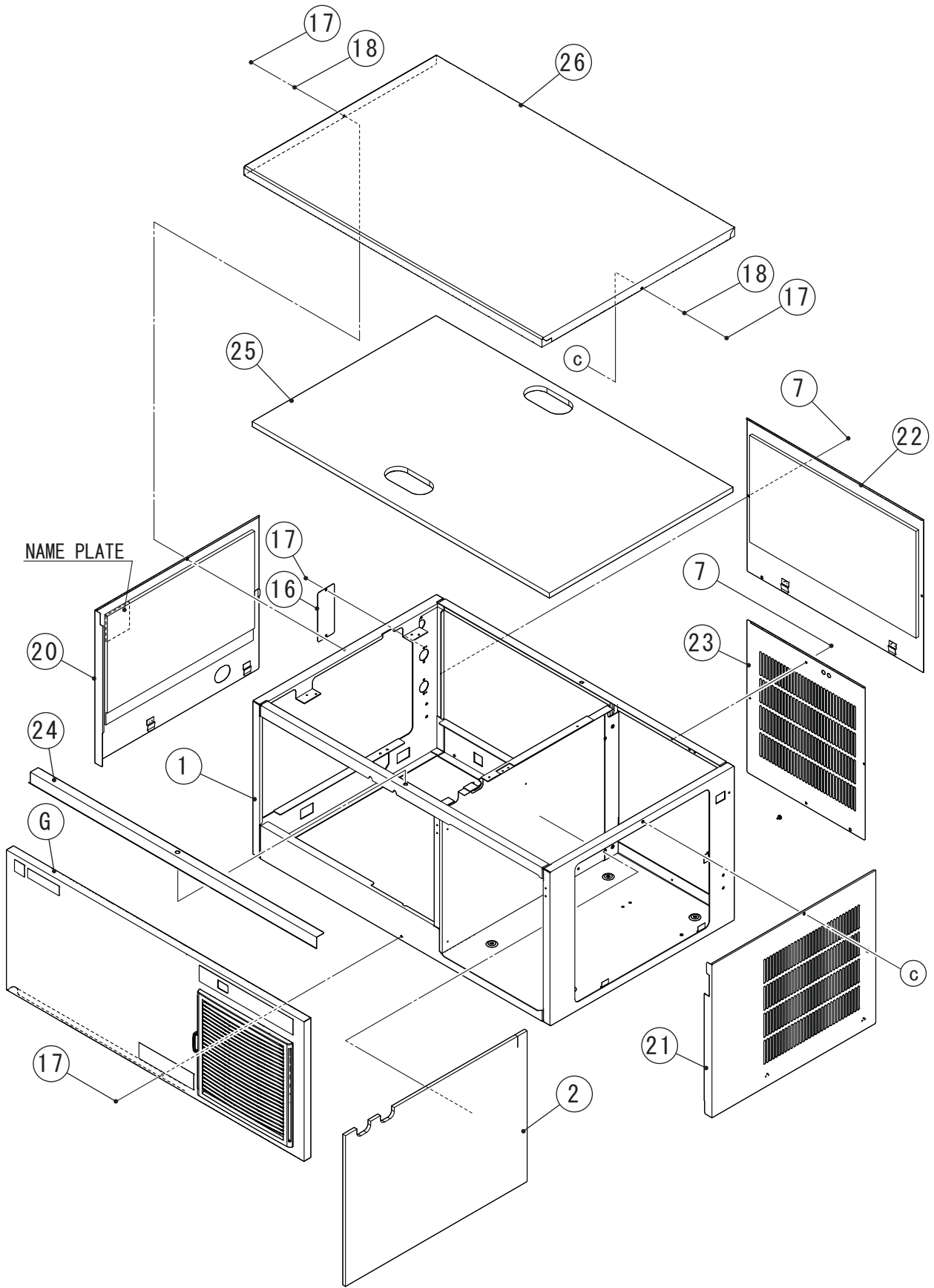


*2 Description

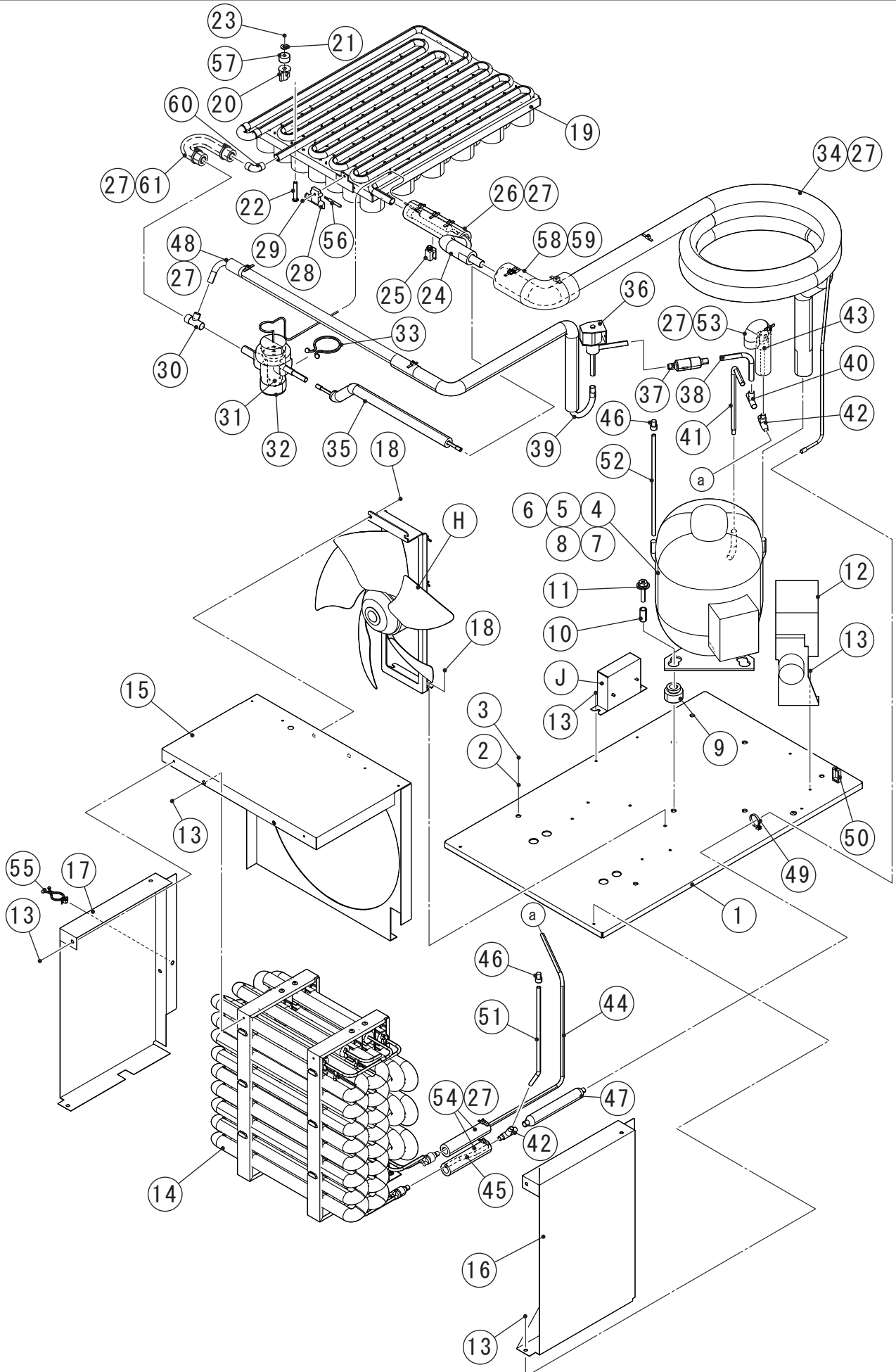
First letter
S: Machine screw
T: Tapping screw
M: Wood screw
B: Bolt
W: Washer
N: Nut





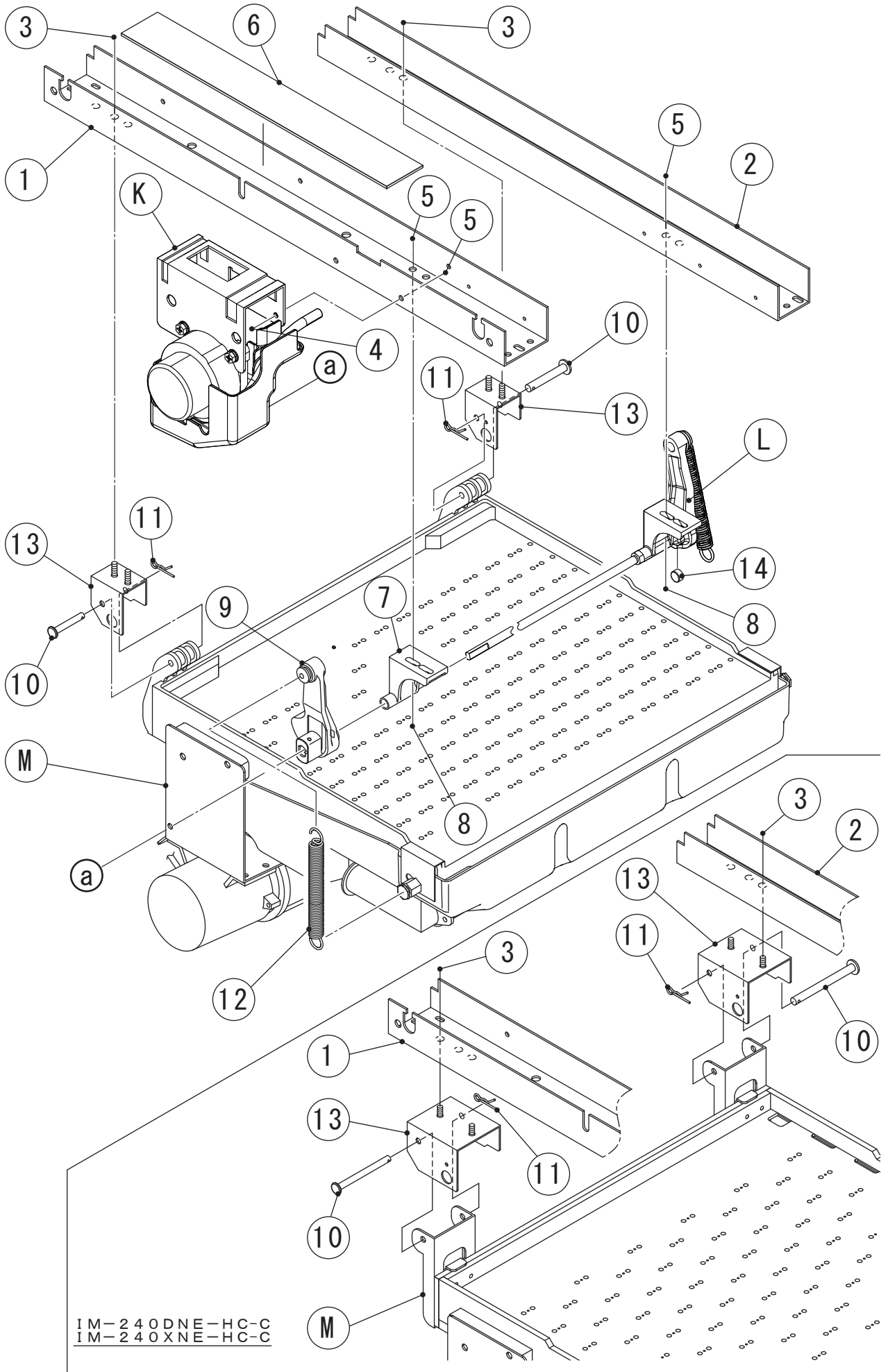


MODEL: IM-240DNE-HC IM-240XNE-HC			TITLE: A. ICE CUBER ASSY					
INDEX NO.	DESCRIPTION	MATERIAL OR MODEL NUMBER	PART NUMBER	REQ'D NUMBER				
				G-0 J-0	J-1 K-0	K-1		
B	REFRIGERATION ASSY		1H5841A01	1	1	1		
		Cylinder ICE	1E0011A01	1	1	1		
C	MECHANISM ASSY		1H4669A01	1	1	-		
			1E0020A01	-	-	1		
		Cylinder ICE	1H4679A01	-	1	-		
			1E0020A01	-	-	1		
D	BIN SWITCH ASSY	DNE	3Y5222A01	1	1	1		
		XNE	3Y5244A01	1	1	1		
E	WATER CIRCUIT ASSY		2H9942A01	1	1	1		
		Cylinder ICE	2H9942A02	1	1	1		
F	CONTROL BOX ASSY		2X2961A01	1	-	-		
			2X2961A02	-	1	1		
G	FRONT COVER		2X3059A01	1	1	1		
P	ACCESSORIES			1	1	1		
Q	OPTIONAL PARTS			1	1	1		
1	UNIT FRAME		1H4667G01	1	1	-		
		SUS Frame	1H5205G01	-	1	-		
			1E0007G01	-	-	1		
2	INSULATION-SEPARATOR		3Y5008P01	1	1	1		
3	INSULATION-CHASSIS		4Y6574P01	1	1	1		
4	INSULATION-FRAME		4Y5945P01	2	2	2		
5	INSULATION-SIDEFAME L		4Y5944P01	1	1	1		
7	FLANGE BOLT (C-TITE)		FTR0408M0	16	16	16		
8	BRACKET-BIN CONTROL SWITCH	DNE	4Y7486M01	1	1	-		
		DNE (SUS Frame)	486135M01	-	1	1		
		XNE	4Y5943M01	1	1	-		
		XNE (SUS Frame)	486145M01	-	1	1		
9	T2 TRUSS HEAD SCREW	DNE	FT20408S0	9	9	-		
		DNE (SUS Frame)		-	7	-		
		DNE		-	-	2		
		XNE		15	15	-		
		XNE (SUS Frame)		-	13	-		
		XNE		-	-	4		
10	T2 TRUSS HEAD SCREW		FT20412S0	2	2	2		
11	PROTECTOR-SEPARATOR		390519P01	1	1	1		
12	SEPARATOR		3Y9771M01	1	1	1		
13	PUSH MOUNT TIE		P05042-01	1	1	1		



MODEL: IM-240DNE-HC IM-240XNE-HC				TITLE: B.REFRIGERATION ASSY				
INDEX NO.	DESCRIPTION	MATERIAL OR MODEL NUMBER	PART NUMBER	REQ'D NUMBER				
				G-0 J-0	J-1 K-0	K-1		
H	FAN MOTOR ASSY		3Y5078A01	1	1	1		
J	GAS SENSOR ASSY		480188A01	1	1	1		
1	BASE		3Y9702G01	1	1	1		
2	FLAT WASHER		FWPL06N0	4	4	4		
3	HEX HEAD BOLT		FBH0612S0	4	4	4		
4	COMPRESSOR		P02809-01	1	1	1		
5	PROTECTOR		P02812-01	1	1	1		
6	PROTECTOR RETAINER		P02815-01	1	1	1		
7	SCREW		P00840-01	1	1	1		
8	TERMINAL COVER		P02814-01	1	1	1		
9	GROMMET		P00846-01	4	4	4		
10	SPACER		P00847-01	4	4	4		
11	BOLT		436206-03	4	4	4		
12	BOX WITH ELECTRICAL COMPONENTS		P02841-01	1	1	1		
13	FLANGE BOLT (C-TITE)		FTR0408M0	16	16	16		
14	CONDENSER ASSY		2X2923G01	1	1	1		
15	SHROUD		2X2926M01	1	1	1		
16	SHROUD(L)-SIDE		2X2927M01	1	1	1		
17	SHROUD(R)-SIDE		2X2927M02	1	1	1		
18	HEX HEAD BOLT (SPRING WASHER AND FLAT WASHER)		FBK0510S0	4	4	4		
19	EVAPORATOR		2X2459G01	1	1	1		
		23mm ICE	2X2594G01	1	1	1		
		32mm ICE	2X2605G01	1	1	1		
		21mm ICE	2X2532G01	1	1	1		
		Cylinder ICE	2H9949G01	-	1	1		
20	COLLAR		3H3879-01	4	4	4		
	SPACER	Cylinder ICE	4H0471-01	-	4	4		
21	WASHER		4H0777-01	4	4	4		
22	SCREW-EVAPORATOR	Standard 32mm ICE	4Y4922M02	4	4	4		
		23mm ICE	4Y4922M03	4	4	4		
		21mm ICE						
		Cylinder ICE	4Y4922M01	-	4	4		
23	FLANGE NUT		FNHF06S0	4	4	4		
24	PIPE(B)-LOW SIDE		4Y9552G01	1	1	1		
25	CLAMP		443461-01	1	1	1		
26	INSULATION		4X8643-01	1	1	1		

MODEL: IM-240DNE-HC IM-240XNE-HC				TITLE: B.REFRIGERATION ASSY				
INDEX NO.	DESCRIPTION	MATERIAL OR MODEL NUMBER	PART NUMBER	REQ'D NUMBER				
				G-0 J-0	J-1 K-0	K-1		
27	TIE		7920-0003	10	10	10		
		Cylinder ICE		-	13	13		
28	HOLDER - THERMISTOR		315479-01	1	1	1		
29	S-TITE TRUSS HEAD SCREW		FTS0408M0	1	1	1		
30	TEE		420041-06	1	1	1		
31	EXPANSION VALVE		P02819-01	1	1	1		
32	VALVE COVER		3Y3051P01	1	1	1		
33	CLAMP		P00752-01	2	2	2		
34	HEAT EXCHANGER		2X2949G01	1	1	1		
35	PIPE(C)-HIGH SIDE		3Y5067G01	1	1	1		
36	HOT GAS VALVE		P04242-01	1	1	1		
37	STRAINER		P00812-01	1	1	1		
38	PIPE(A)-HOT GAS		4Y9547M01	1	1	1		
39	PIPE(B)-HOT GAS		3Y9742G01	1	1	1		
40	TEE		420041-11	1	1	1		
41	COPPER TUBE A - H		4Y9545M01	1	1	1		
42	TEE		456655-01	2	2	2		
43	PRESSURE SWITCH		459863-08	1	1	1		
44	COPPER TUBE B - H		3Y9741M01	1	1	1		
45	COPPER TUBE C - H		4Y9546M01	1	1	1		
46	LOCKRING STOPPER		P01677-01	2	2	2		
47	DRIER		458776-01	1	1	1		
48	PIPE(C)-HOT GAS		3Y5069G01	1	1	1		
49	TIE		P05042-01	1	1	1		
50	WIRE SADDLE		428060-02	1	1	1		
51	PROCESS TUBE		4Y9551M01	1	1	1		
52	COPPER TUBE (F) - L		477818M01	1	1	1		
53	INSULATION TUBE		H71527130	1	1	1		
54	INSULATION TUBE		H71323B10	2	2	2		
55	CLAMP		P04381-01	1	1	1		
56	THERMISTOR-CUBE CONTROL		P00350-04	1	1	1		
57	WASHER	23mm ICE	4H1365-05	4	4	4		
		21mm ICE	4H1365-06	4	4	4		
58	INSULATION TUBE		H72949B15	1	1	1		
59	NYLON TIE		7920-0010	2	2	2		
		Cylinder ICE	7920-0010	-	3	3		
60	ELBOW	Cylinder ICE	417395-03	-	1	1		
61	CONNECT PIPE	Cylinder ICE	4Y6781G01	-	1	1		



IM-240DNE-HC-C
IM-240XNE-HC-C

