

Spare parts list

Compact K 410

Item number: 765041336

Release date: 08.01.10

Released by: JABP

Revision date: 24.02.22

Revision no.: 017

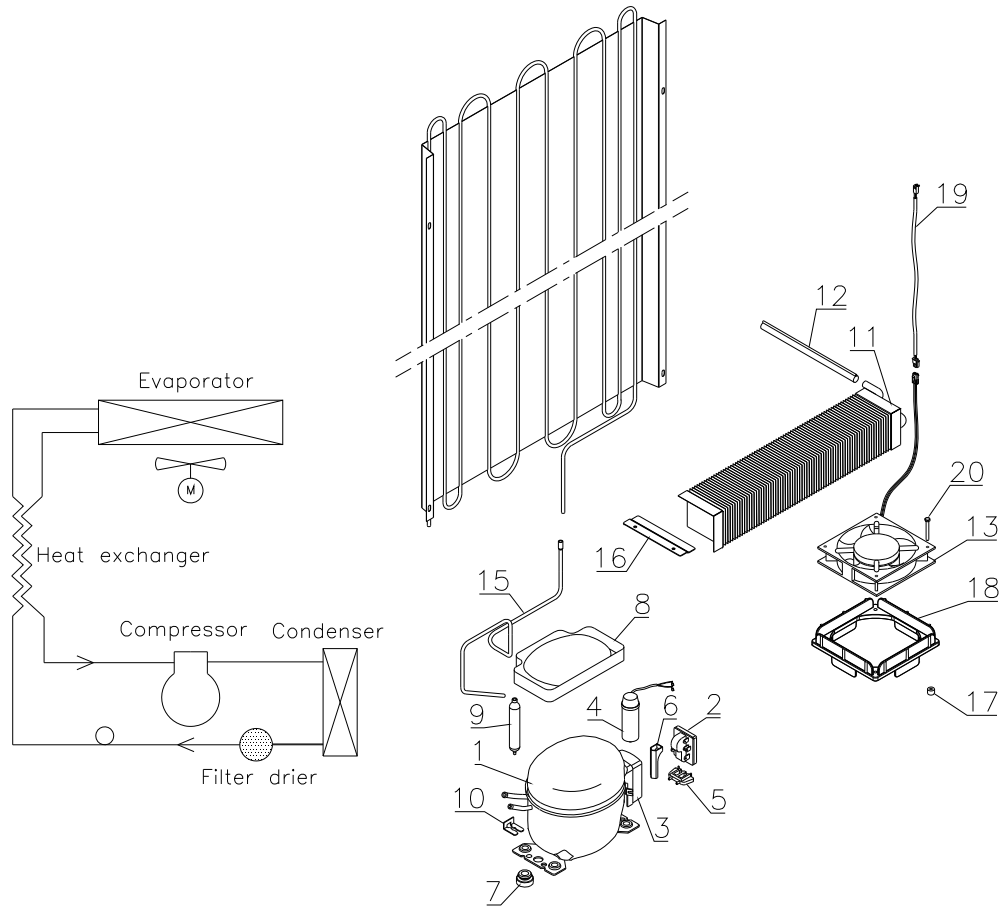
Terminated date: 12.01.21

Content

| | |
|--------------------------------------|----|
| Refrigeration system parts | 3 |
| Sensors and sensor positioning | 5 |
| Cabinet parts | 6 |
| Table top parts | 8 |
| Door..... | 9 |
| Notes | 10 |

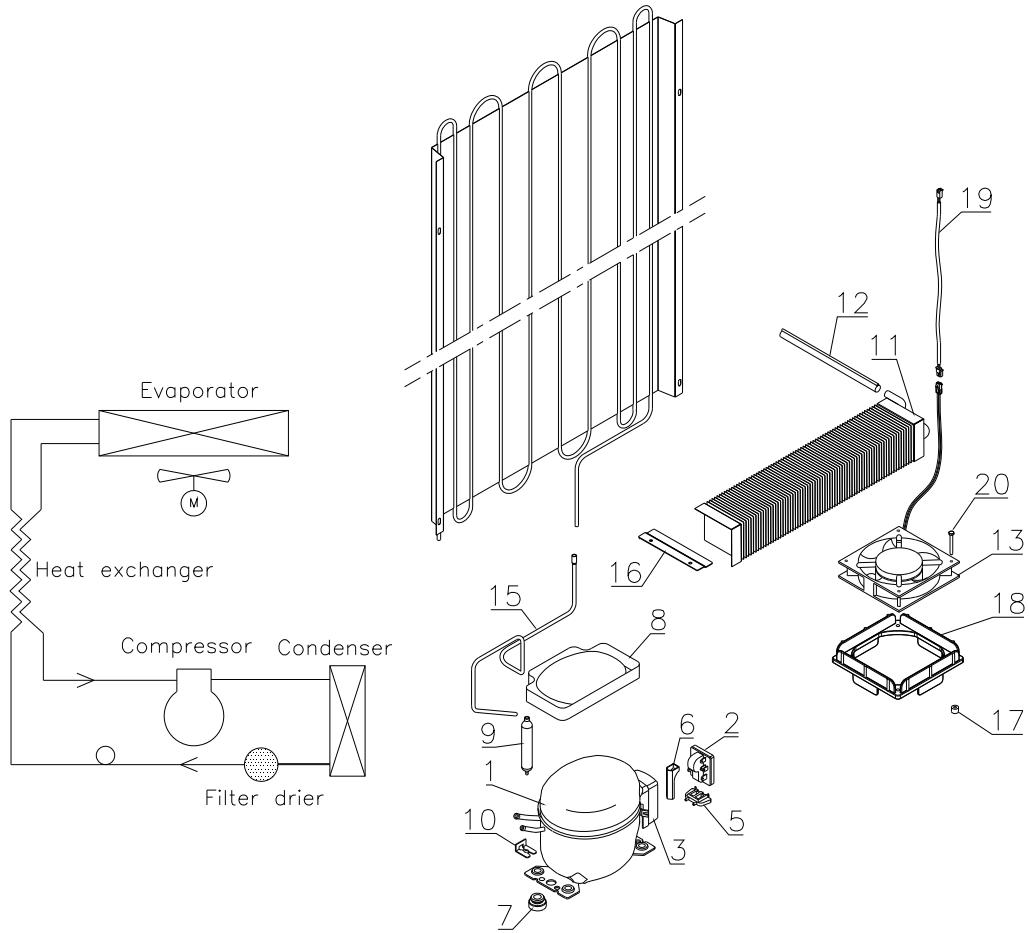
Refrigeration system parts

K 410 G



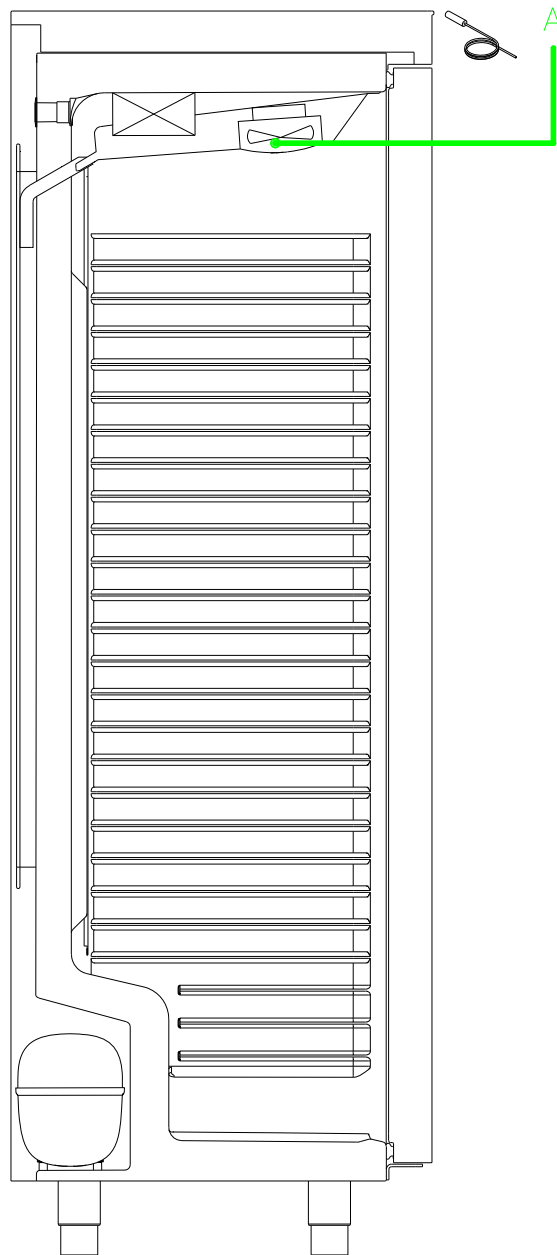
| Item no. | Description | Gram part no. | Issued | Deleted |
|----------|-------------------------------|---------------|--------|---------|
| 1 | Compressor TLY6,5.KK.3 | 500550093 | 0110 | |
| 2 | Starting device | 453050178 | 0110 | |
| 3 | Cover | 452440293 | 0110 | |
| 4 | Run capacitor 4 μ F | 451723513 | 0110 | |
| 5 | Cord relief | 452440300 | 0110 | |
| 6 | Protection screen PTC | 452440290 | 0110 | |
| 7 | Rubber bush | 760080519 | 0110 | |
| 8 | Re-evaporation tray | 410820001 | 0110 | |
| 9 | Filter drier | 761221321 | 0110 | |
| 10 | Compressor clip | 760082367 | 0110 | |
| 11 | Evaporator | 765080412 | 0110 | |
| 12 | Heat exchanger | 761221419 | 0110 | |
| 13 | Evaporator fan 12V DC | 765071196 | 0110 | |
| 14 | Condenser | 761223011 | 0110 | |
| 15 | Re-evaporation pipework | 760000323 | 0110 | |
| 16 | Evaporator suspension bracket | 761223070 | 0110 | |
| 17 | Rubber bush | 343812010 | 1110 | 0811 |
| 18 | Rubber gasket | 761223110 | 0811 | |
| 19 | Wiring for fan motor | 765072696 | 0110 | |
| 20 | Screw for fan | 420181501 | 0110 | 0811 |
| 20 | Screw for fan | 420790001 | 0811 | |

K 410 H



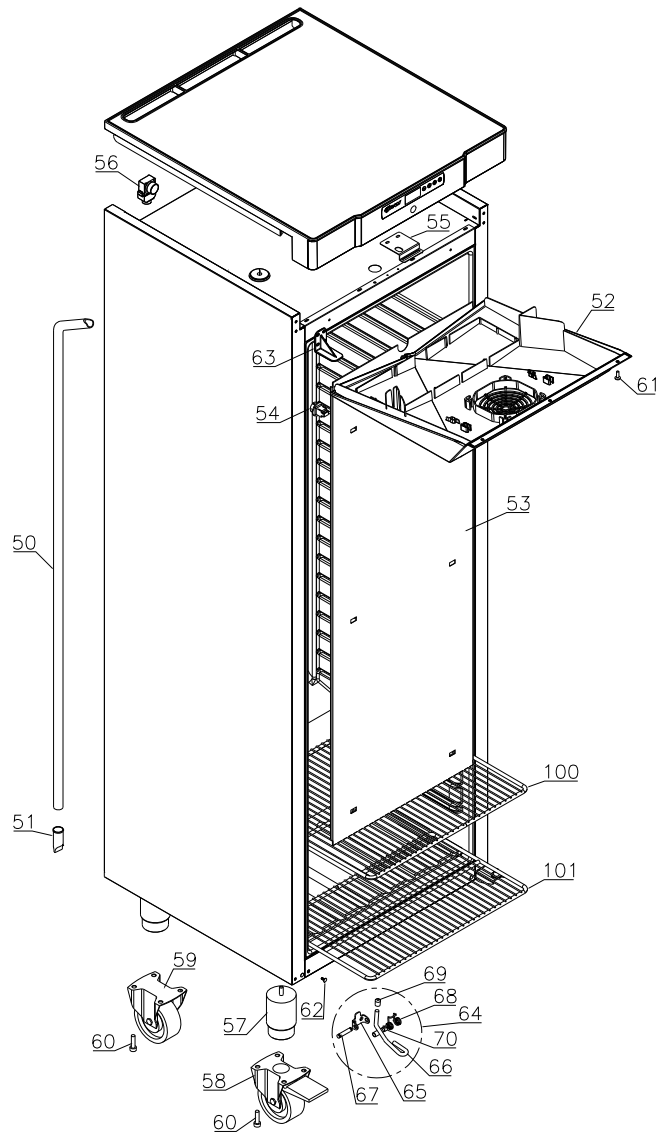
| Item no. | Description | Gram part no. | Issued | Deleted |
|----------|-------------------------------|---------------|--------|---------|
| 1 | Compressor TL4G – 50/60Hz | 500550005 | 0110 | |
| 2 | Starting device | 453050151 | 0110 | |
| 3 | Cover | 452440293 | 0110 | |
| 5 | Cord relief | 452440300 | 0110 | |
| 6 | Protection screen PTC | 452440290 | 0110 | |
| 7 | Rubber bush | 760080519 | 0110 | |
| 8 | Re-evaporation tray | 410820001 | 0110 | |
| 9 | Filter drier | 761221321 | 0110 | |
| 10 | Compressor clip | 760082367 | 0110 | |
| 11 | Evaporator | 765080412 | 0110 | |
| 12 | Heat exchanger | 761221419 | 0110 | |
| 13 | Evaporator fan 12V DC | 765071196 | 0110 | |
| 14 | Condenser | 761223010 | 0110 | |
| 15 | Re-evaporation pipework | 760000323 | 0110 | |
| 16 | Evaporator suspension bracket | 761223070 | 0110 | |
| 17 | Rubber bush | 343812010 | 1110 | 0811 |
| 18 | Rubber gasket | 761223110 | 0811 | |
| 19 | Wiring for fan motor | 765072696 | 0110 | |
| 20 | Screw for fan | 420181501 | 0110 | 0811 |
| 20 | Screw for fan | 420790001 | 0811 | |

Sensors and sensor positioning



| Item no. | Description | Gram part no. | Issued | Deleted |
|----------|--------------------|---------------|--------|---------|
| A | Temperature sensor | 453531507 | 0110 | |
| | | | | |

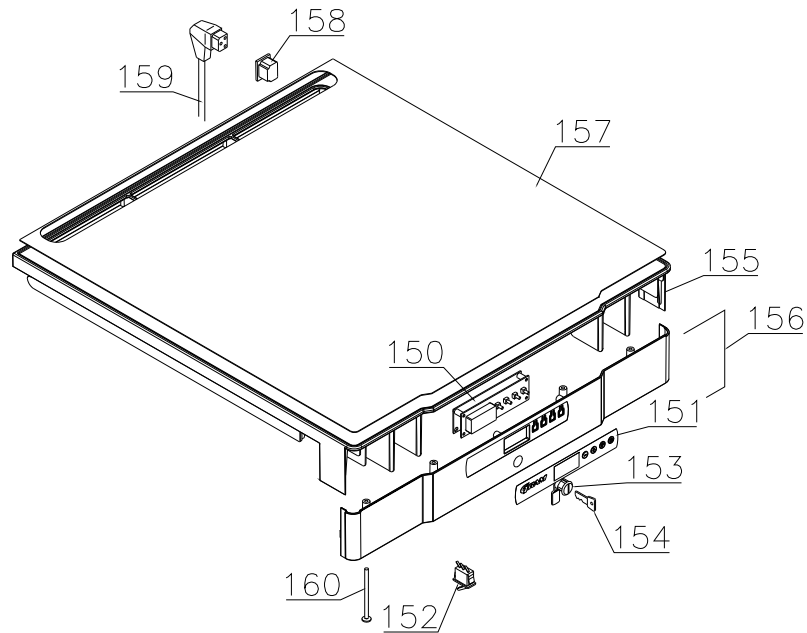
Cabinet parts



| Item no. | Description | Gram part no. | Issued | Deleted |
|----------|-------------------------------|---------------|--------|---------|
| 50 | Drain pipe | 761221756 | 0110 | |
| 51 | Water trap | 760082891 | 0110 | |
| 52 | Drip tray complete, white | 762223098 | 0110 | |
| 53 | Air distribution plate, white | 761222998 | 0110 | |
| 54 | Suspension plug, grey | 765081214 | 0110 | |
| 54 | Suspension plug, white | 765081213 | 0110 | |
| 55 | Lock bracket, Euro lock | 761222761 | 0110 | |
| 55 | Lock bracket, Ruko lock | 761222767 | 4718 | |
| 56 | Air relief valve | 765081206 | 0110 | |
| 57 | Leg H=100-130 mm | 765080118 | 0110 | |
| 58 | Castor w/brake H=125 mm | 480260050 | 0110 | |
| 59 | Castor | 480270520 | 0110 | |
| 60 | Screw M8x12 | 422715000 | 0110 | |
| 61 | Screw M4x16 | 422701022 | 0110 | |
| 62 | Cover plug, grey | 765080501 | 0110 | |
| 62 | Cover plug, white | 765080504 | 0110 | |
| 63 | Cover bracket | 761222757 | 4410 | 1111 |
| 63 | Cover bracket, white | 761222758 | 1111 | |
| 63 | Cover bracket, grey | 761222759 | 1111 | |

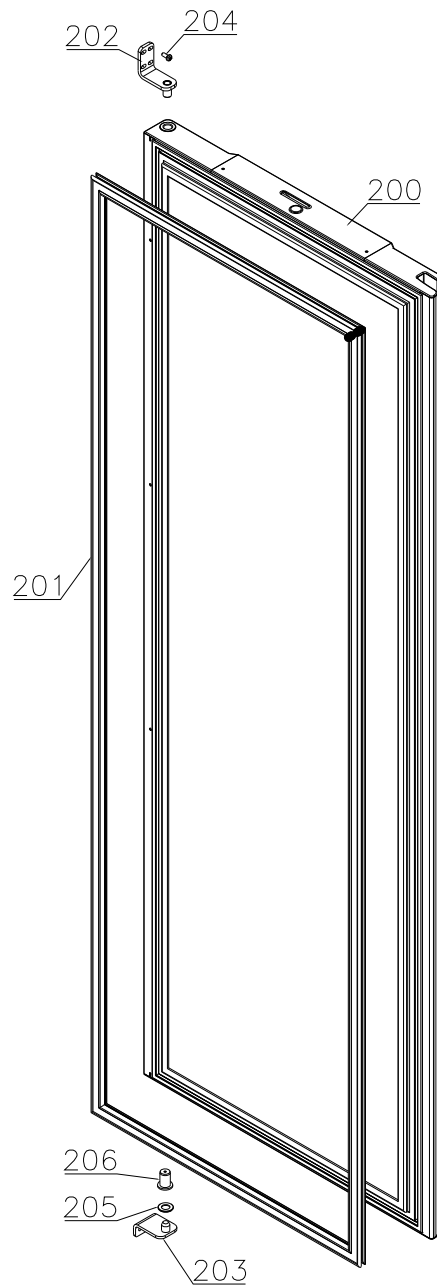
| Item no. | Description | Gram part no. | Issued | Deleted |
|----------|-----------------------------|---------------|--------|---------|
| 64 | Foot pedal complete | 819581052 | 0911 | |
| 65 | Bracket for pedal | 761224006 | 0911 | |
| 66 | Pedal arm | 761224002 | 0911 | |
| 67 | Spindle | 761224007 | 0911 | |
| 68 | Spring | 761224005 | 0911 | |
| 69 | Plastic cap | 581400021 | 0911 | |
| 70 | Bush | 761224008 | 0911 | |
| | | | | |
| 100 | Wire shelf large, grey | 818721020 | 0110 | |
| 100 | Wire shelf large, white | 818721001 | 0110 | |
| 100 | Wire shelf large, stainless | 818721006 | 0110 | |
| 101 | Wire shelf small, grey | 818721021 | 0110 | |
| 101 | Wire shelf small, white | 818721019 | 0110 | |
| 101 | Wire shelf small, stainless | 818721007 | 0110 | |

Table top parts



| Item no. | Description | Gram part no. | Issued | Deleted |
|----------|-----------------------------------|---------------|--------|---------|
| 150 | Electronic controller | 453580512 | 0110 | |
| 151 | Label for controller | 761221744 | 0110 | |
| 152 | Door switch | 765070895 | 0110 | |
| 153 | Door lock, Euro lock | 765080093 | 0110 | |
| 153 | Door lock, Ruko lock | 765080450 | 4718 | |
| 154 | Key no. 810, Euro lock | 761220166 | 0110 | |
| 155 | Tabletop upper part, grey | 761222891 | 0110 | |
| 155 | Tabletop upper part, white | 761222890 | 0110 | |
| 156 | Tabletop front, grey - Euro lock | 761222780 | 0110 | |
| 156 | Tabletop front, grey - Ruko lock | 761222872 | 4718 | |
| 156 | Tabletop front, white - Euro lock | 761222781 | 0110 | |
| 156 | Tabletop front, white - Ruko lock | 761222873 | 4718 | |
| 157 | Stainless top plate | 819581050 | 1610 | |
| 158 | Appliance inlet | 451022002 | 0110 | |
| 159 | Mains cable, EU | 765072566 | 0110 | |
| 159 | Mains cable, UK | 765072567 | 0110 | |
| 159 | Mains cable, DK | 765072568 | 0110 | |
| 160 | Screw M4x70 | 420178125 | 0110 | |

Door



| Item no. | Description | Gram part no. | Issued | Deleted |
|----------|--------------------------|---------------|--------|---------|
| 200 | Door complete, stainless | 761222661 | 0110 | |
| 200 | Door complete, white | 761222671 | 0110 | |
| 201 | Door gasket | 761222729 | 0110 | |
| 202 | Upper hinge | 761222906 | 0110 | |
| 203 | Lower hinge | 761222904 | 0110 | |
| 204 | Screw for hinge | 422900300 | 0110 | |
| 205 | Washer | 760250524 | 0110 | |
| 206 | Bush | 761220977 | 0110 | |

Notes

| |
|--|
| |
| |
| |
| |
| |
| |
| |
| |
| |
| |