



SELF-CONTAINED CUBER

**IM-45PE
IM-45PE-25
IM-45WPE
IM-45WPE-25
IM-45CPE
IM-45CPE-25**

PARTS LIST

[HE]

M111

M111-D001,D002,D003

M111-D100,D101,D102,D103

M111-D200,D201,D202,D203

M111-D300,D301,D302,D303

M112

M112-D001

M112-D100,D101

M112-D200,D201

M112-D300,D301

P-0 DEC. 2024

List of Specifications

IM-45PE	M111	Air-cooled Standard
IM-45PE-25	M111-D001	25mm ICE of IM-45PE
IM-45WPE	M111-D002	Water-cooled Standard
IM-45WPE-25	M111-D003	25mm ICE of IM-45WPE
IM-45PE-F	M111-D100	Air-cooled Standard
IM-45PE-F-25	M111-D101	25mm ICE of IM-45PE
IM-45WPE-F	M111-D102	Water-cooled Standard
IM-45WPE-F-25	M111-D103	25mm ICE of IM-45WPE
IM-45PE-U	M111-D200	Air-cooled Standard
IM-45PE-U-25	M111-D201	25mm ICE of IM-45PE
IM-45WPE-U	M111-D202	Water-cooled Standard
IM-45WPE-U-25	M111-D203	25mm ICE of IM-45WPE
IM-45PE-E	M111-D300	Air-cooled Standard
IM-45PE-E-25	M111-D301	25mm ICE of IM-45PE
IM-45WPE-E	M111-D302	Water-cooled Standard
IM-45WPE-E-25	M111-D303	25mm ICE of IM-45WPE
IM-45CPE	M112	Air-cooled Standard
IM-45CPE-25	M112-D001	25mm ICE of IM-45CPE
IM-45CPE-F	M112-D100	Air-cooled Standard
IM-45CPE-F-25	M112-D101	25mm ICE of IM-45CPE
IM-45CPE-U	M112-D200	Air-cooled Standard
IM-45CPE-U-25	M112-D201	25mm ICE of IM-45CPE
IM-45CPE-E	M112-D300	Air-cooled Standard
IM-45CPE-E-25	M112-D301	25mm ICE of IM-45CPE

List of Functions

Basic		Cube
Basic + DP	F	FlexCube
Basic + UV	U	UltraCube
Basic + IoT + DP + UV	E	EliteCube

Auxiliary Codes

Auxiliary Code Breakdown

The auxiliary code is the first two characters in the serial number. The first character indicates the year. Years progress or regress in alphabetical order. The series runs from "A" through "V" and the letters "I" and "O" are skipped. The second character indicates significant part changes within a year. Base is "0" and this number advances for each change. In cases where there is a letter in parentheses, this designates the month. This is the last character in the serial number. The series runs from "(A)" through "(M)" and the letter "(I)" is skipped. This designation is only included when identifying a parts change within an auxiliary code.

Note About Ordering Parts

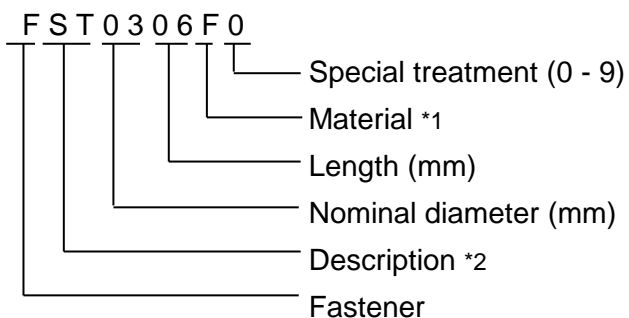
Most assemblies cannot be ordered as complete units; parts in the assemblies generally must be ordered separately.

MARKS LOCATED UNDER THE AUXILIARY CODE

- = Part deleted.

FASTENER PART NUMBER

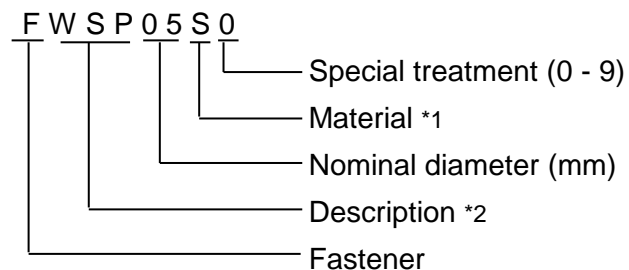
SCREWS



*1

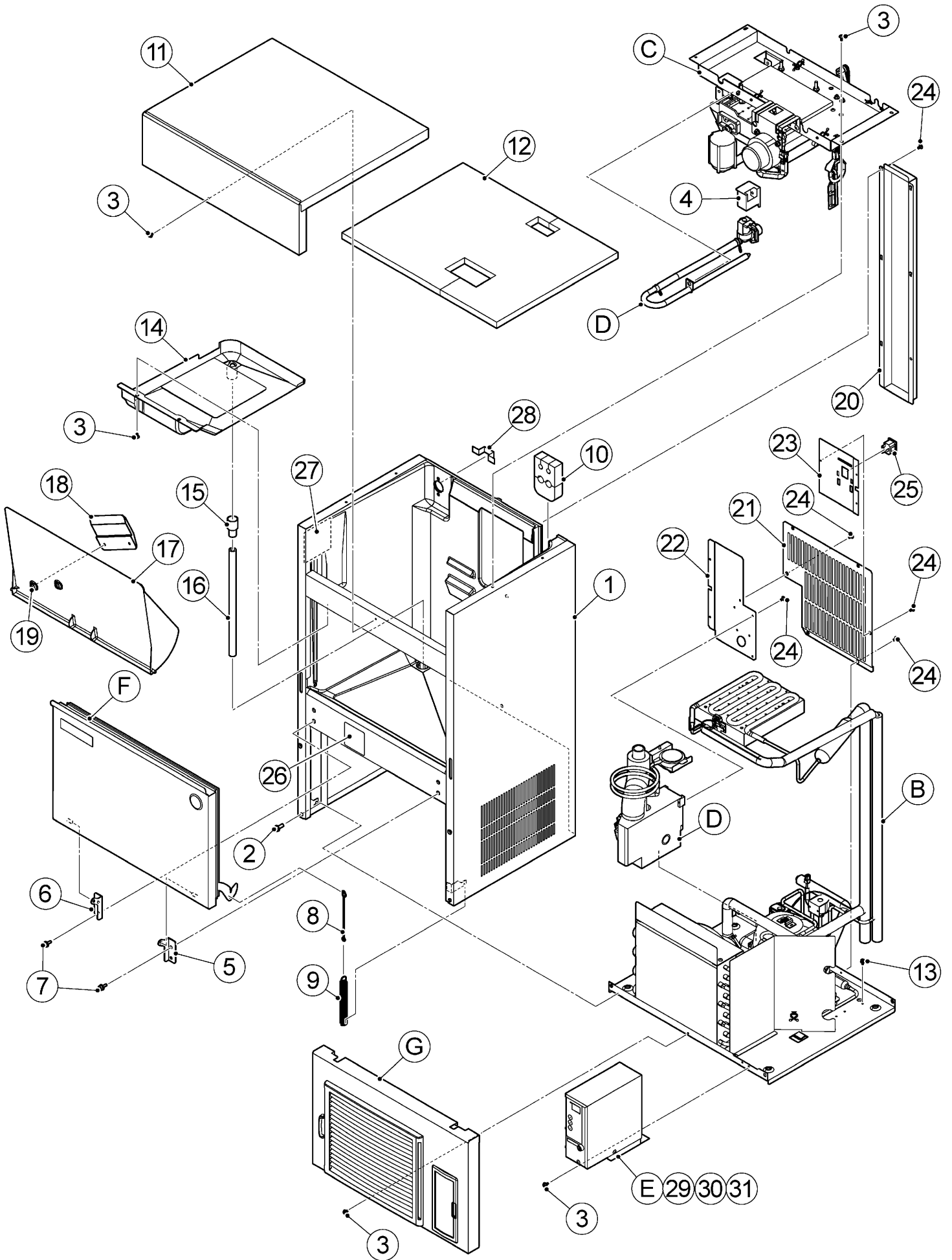
F: Steel
S: Austenitic stainless steel
M: Martensitic stainless steel
B: Copper alloy
P: Polycarbonate
N: Polyamide
V: PVC
A: ABS
X: Polyacetal
L: Aluminum

NUTS & WASHERS



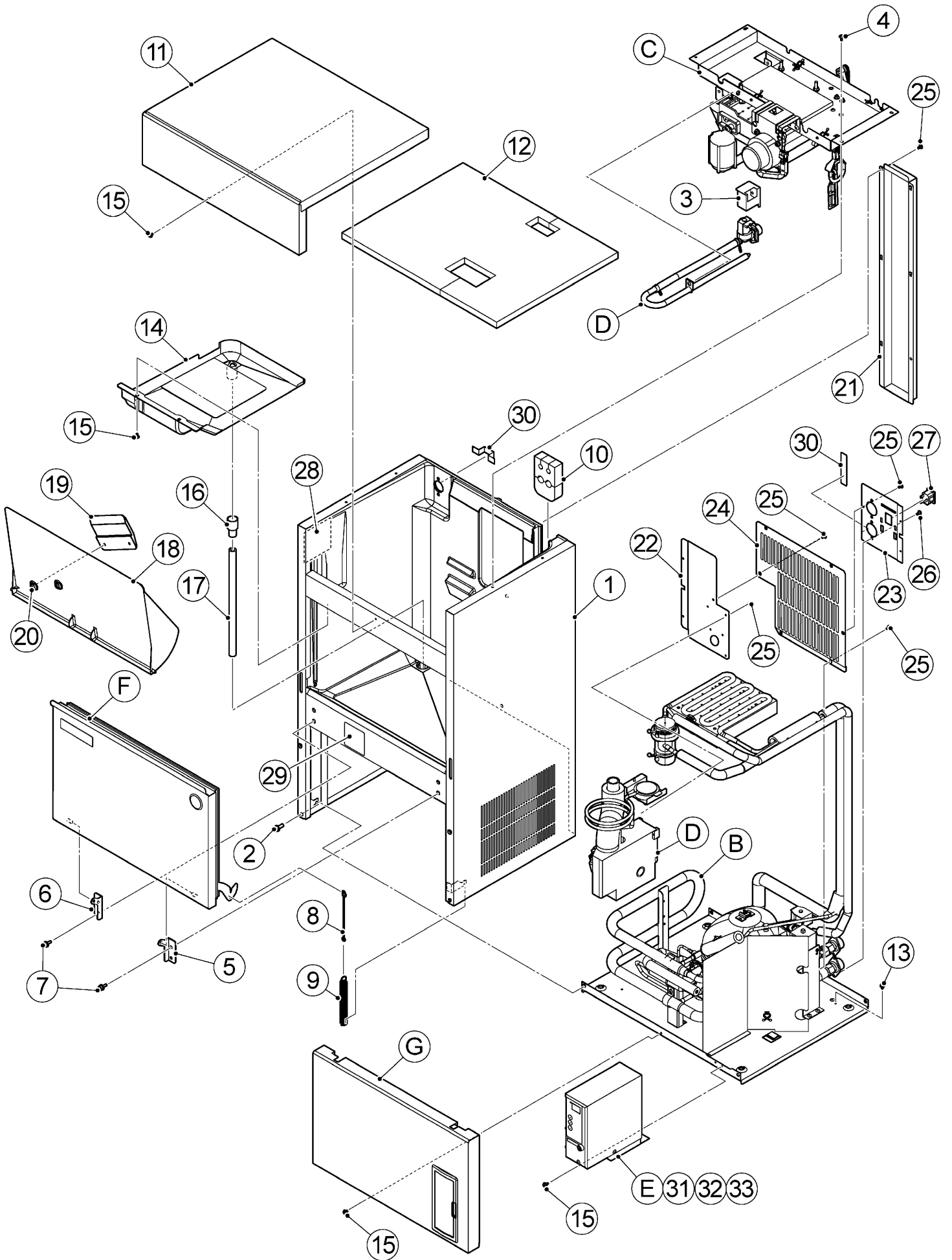
*2

First letter
S: Machine screw
T: Tapping screw
M: Wood screw
B: Bolt
W: Washer
N: Nut



MODEL: **IM-45PE(-25)**TITLE: **A. ICE CUBER ASSY**

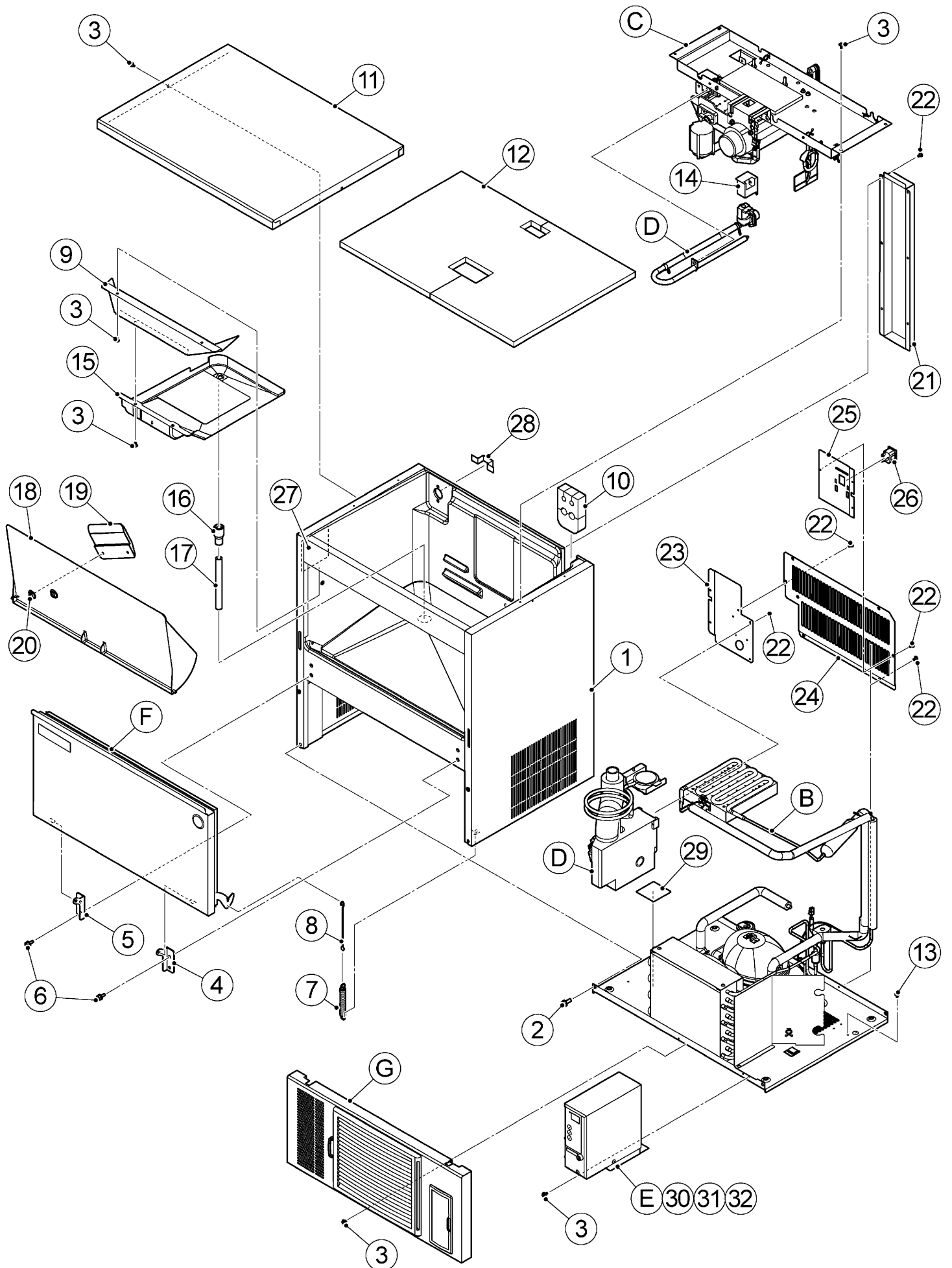
INDEX NO.	DESCRIPTION	MATERIAL OR MODEL NUMBER	PART NUMBER	REQ'D NUMBER				
				P-0				
B	REFRIGERATION ASSY		1E0093A01	1				
C	ICE MAKING MECHANISM ASSY		1E0094A01	1				
D	WATER CIRCUIT ASSY		2E0184A01	1				
E	CONTROL BOX ASSY (A)		3E0346A02	1				
F	DOOR ASSY		3E0168A02	1				
G	FRONT PANEL LOWER ASSY		3E0171A03	1				
R	ACCESSORIES		A04627-01	1				
1	UNIT FRAME		1E0092G01	1				
2	TAPPING SCREW - HEX		442040-01	4				
3	TRUSS HEAD SCREW		FST0408S0	10				
4	COVER-WATER VALVE		3Y6277M01	1				
5	HINGE (RIGHT)		3E0327M01	1				
6	HINGE (LEFT)		3E0327M02	1				
7	HEX HEAD BOLT (SPRING WASHER AND FLAT WASHER)		FBK0620S0	4				
8	HOOK		404060-10	1				
9	SPRING DOOR		416609-01	1				
10	INSULATION-BIN		4Y7416P01	1				
11	FRONT PANEL (UPPER)		3E0170G02	1				
12	INSULATION - TOP		3Y5959P02	1				
13	HEX HEAD BOLT SW		FBK0408S0	1				
14	DRAIN PAN		2H1440-01	1				
15	DRAIN HOSE		4Z0986R01	1				
16	DRAIN PIPE		4Y7493P03	1				
17	SLOPE (A)		2H1349-01	1				
		Scoop Holder Parts	3E0349G01	1				
18	HOLDER - SCOOP	Scoop Holder Parts	393026G01	1				
19	THUMB SCREW	Scoop Holder Parts	456279G01	2				
20	COVER - PIPE		3E0172M02	1				
21	REAR COVER		3E0201M01	1				
22	BRACKET - DRAIN		3E0173M02	1				
		-F,-E	3E0173M01	1				
23	BRACKET - MAINS		3E0174M01	1				
24	T2 TRUSS HEAD SCREW		FT20408F0	17				
25	CONNECTOR		P00245-02	1				



MODEL: **IM-45WPE(-25)**

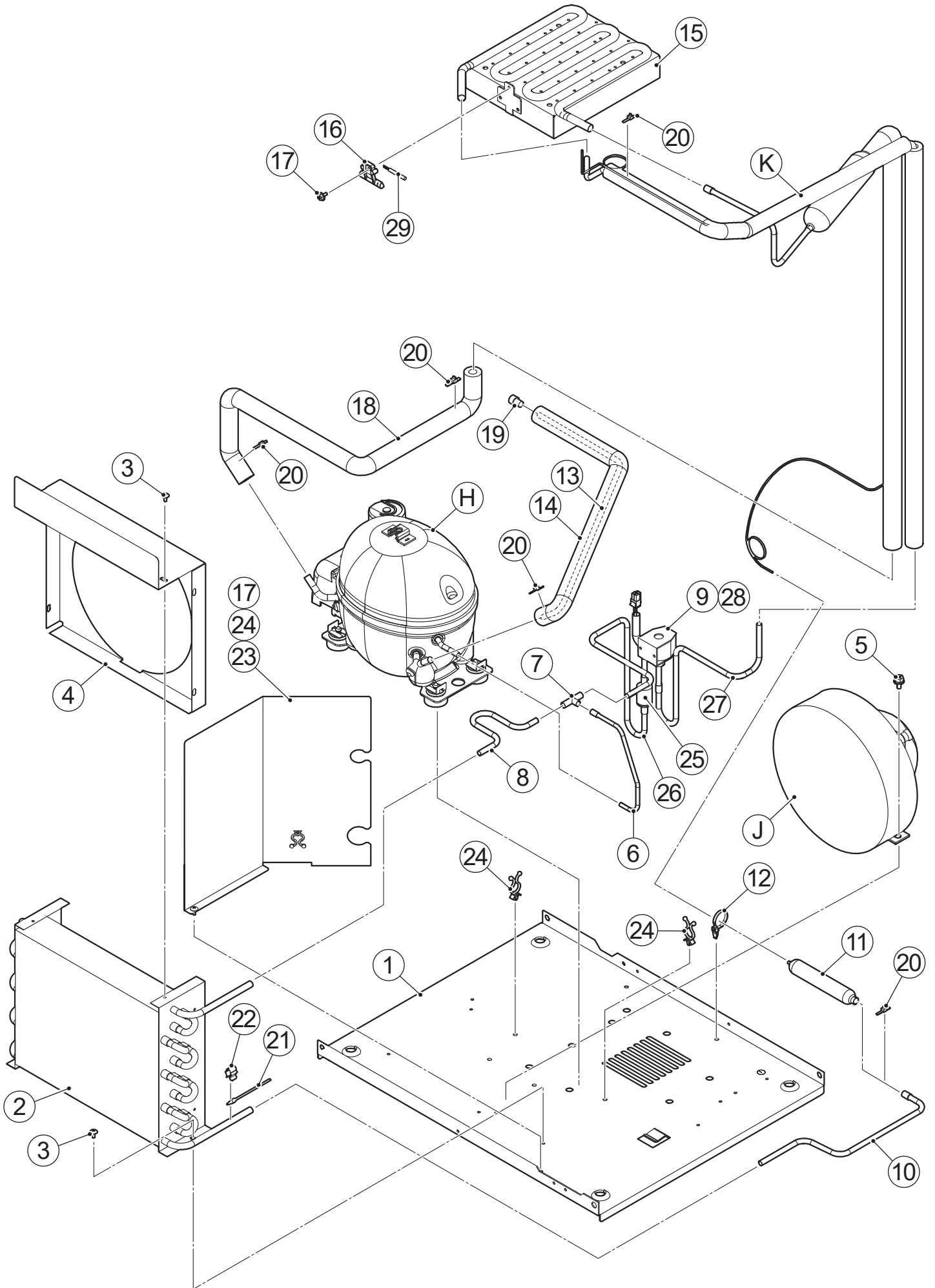
TITLE: **A. ICE CUBER ASSY**

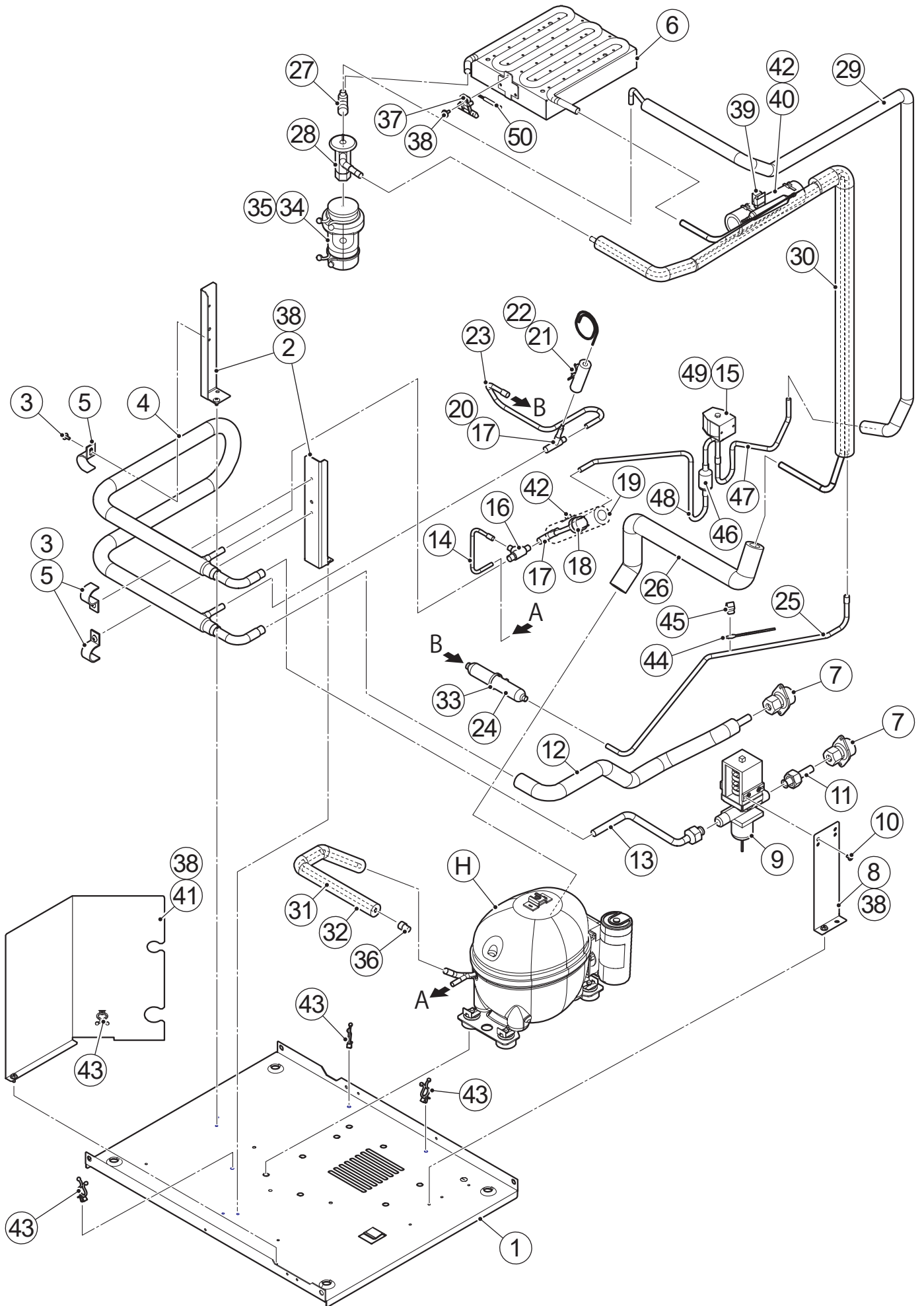
INDEX NO.	DESCRIPTION	MATERIAL OR MODEL NUMBER	PART NUMBER	REQ'D NUMBER				
				P-0				
B	REFRIGERATION ASSY		1E0107A01	1				
C	ICE MAKING MECHANISM ASSY		1E0094A01	1				
D	WATER CIRCUIT ASSY		2E0184A01	1				
E	CONTROL BOX ASSY (A)		3E0346A02	1				
F	DOOR ASSY		3E0168A02	1				
G	FRONT PANEL LOWER ASSY		3E0171A04	1				
Q	ACCESSORIES		A04627-01	1				
1	UNIT FRAME		1E0092G01	1				
2	TAPPING SCREW - HEX		442040-01	4				
3	COVER-WATER VALVE		3Y6277M01	1				
4	TRUSS HEAD TAPPING SCREW T2		FT20410S0	4				
5	HINGE (RIGHT)		3E0327M01	1				
6	HINGE (LEFT)		3E0327M02	1				
7	HEX HEAD BOLT (SPRING WASHER AND FLAT WASHER)		FBK0620S0	4				
8	HOOK		404060-10	1				
9	SPRING DOOR		416609-01	1				
10	INSULATION-BIN		4Y7416P01	1				
11	FRONT PANEL (UPPER)		3E0170G02	1				
12	INSULATION - TOP		3Y5959P02	1				
13	HEX HEAD BOLT SW		FBK0408S0	1				
14	DRAIN PAN		2H1440-01	1				
15	TRUSS HEAD SCREW		FST0408S0	6				
16	DRAIN HOSE		4Z0986R01	1				
17	DRAIN PIPE		4Y7493P03	1				
18	SLOPE (A)		2H1349-01	1				
		Scoop Holder Parts	3E0349G01	1				
19	HOLDER - SCOOP	Scoop Holder Parts	393026G01	1				
20	THUMB SCREW	Scoop Holder Parts	456279G01	2				
21	COVER - PIPE		3E0172M02	1				
22	BRACKET - DRAIN		3E0173M02	1				
		-F,-E	3E0173M01	1				
23	BRACKET - MAINS		3E0174M02	1				
24	REAR COVER		3E0201M01	1				
25	T2 TRUSS HEAD SCREW		FT20408F0	19				



MODEL: **IM-45CPE(-25)**TITLE: **A. ICE CUBER ASSY**

INDEX NO.	DESCRIPTION	MATERIAL OR MODEL NUMBER	PART NUMBER	REQ'D NUMBER				
				P-0				
B	REFRIGERATION ASSY		1E0119A01	1				
C	ICE MAKING MECHANISM ASSY		1E0120A01	1				
D	WATER CIRCUIT ASSY	Basic, -U	2E0184A03	1				
		-F,-E	2E0184A04	1				
E	CONTROL BOX ASSY (A)		3E0346A02	1				
F	DOOR ASSY		3E0168A03	1				
G	FRONT PANEL		2E0219G01	1				
Q	ACCESSORIES		A04186-01	1				
1	UNIT FRAME		1E0118G01	1				
2	TAPPING SCREW - HEX		442040-01	4				
3	TRUSS HEAD SCREW		FST0408S0	13				
4	HINGE (RIGHT)		3E0327M01	1				
5	HINGE (LEFT)		3E0327M02	1				
6	HEX HEAD BOLT (SPRING WASHER AND FLAT WASHER)		FBK0620S0	4				
7	SPRING		4Y9336M01	1				
8	HOOK-SPRING		4Y9337M01	1				
9	FRONT FRAME(LO)		2H4624-01	1				
10	INSULATION-BIN		4Y7416P01	1				
11	TOP PANEL		2E0214M01	1				
12	INSULATION - TOP		3Y5961P02	1				
13	HEX HEAD BOLT SW		FBK0408S0	1				
14	COVER-WATER VALVE		3Y6277M01	1				
15	DRAIN PAN		2H1440-01	1				
16	DRAIN HOSE		4Z0986R01	1				
17	DRAIN PIPE		4Y7493P04	1				
18	SLOPE (A)		2H1349-02	1				
		Scoop Holder Parts	3E0348G01	1				
19	HOLDER - SCOOP	Scoop Holder Parts	393026G01	1				
20	THUMB SCREW	Scoop Holder Parts	456279G01	2				
21	COVER - PIPE		3E0172M01	1				
22	T2 TRUSS HEAD SCREW		FT20408F0	17				
23	BRACKET - DRAIN		3E0270M02	1				
		-F,-E	3E0270M01	1				
24	REAR COVER		3E0271M01	1				





MODEL: **IM-45WPE(-25)**TITLE: **B. REFRIGERATION ASSY**

INDEX NO.	DESCRIPTION	MATERIAL OR MODEL NUMBER	PART NUMBER	REQ'D NUMBER				
				P-0				
H	COMPRESSOR ASSY		381867A01	1				
1	BASE		2E0188M01	1				
2	BRACKET - CONDENSER		4E0282M01	2				
3	T2 TRUSS HEAD SCREW		FT20408F0	11				
4	CONDENSER - WATER COOLING		2X0688G01	1				
5	CLAMP(B)-CONDENSER		4H0622-01	3				
6	EVAPORATOR	28mm	2X6726G02	1				
		25mm	2X6725G01	1				
7	FITTING(P)		3Y0747A01	2				
8	BRACKET - WATER REGULATOR		4E0134M01	1				
9	WATER REGULATOR		P05382-01	1				
10	PAN HEAD SCREW		FSP0406S0	2				
11	PIPE(C) - WATER		4Y7391A01	1				
12	PIPE (A) - WATER		4E0161G01	1				
13	PIPE (B) - WATER		4E0162A01	1				
14	PIPE (A) - HIGH SIDE		4E0281M01	1				
15	HOT GAS VALVE METAL COMPONENT		P02539-0A	1				
16	TEE		439140-02	1				
17	TEE		420041-03	2				
18	PRESSURE SWITCH		P06862-04	1				
19	INSULATION TUBE		H71527130	1				
20	SLEEVE		441322-01	1				
21	INSULATION-CAP		4H9594-01	1				
22	TIE	CV-100N,T18R	7920-0002	2				
23	PIPE (C) - HIGH SIDE		4E0165M01	1				
24	DRIER		P04629-01	1				
25	PIPE (D) - HIGH SIDE		4E0166M01	1				
26	COPPER TUBE (A) - LOW SIDE		3E0250G01	1				
27	TEE		420335-01	1				
28	EXPANSION VALVE		P05535-01	1				
29	PIPE(C) - HOT GAS		3E0403G01	1				
30	HEAT EXCHANGER		2E0340G01	1				
31	PROCESS TUBE		4E0167M01	1				
32	INSULATION TUBE		H71020300	1				

