



HOSHIZAKI

IM-240 DNE - HC 32

Ecological ice maker for IM cubes with separate container. Ice production up to 190 kg/24h. Stackable model.

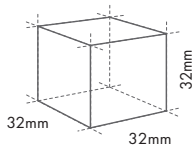
MODELS AVAILABLE

- IM-240 DNE - HC 21 IM-240 DNE - HC 23 IM-240 DNE - HC 32
- IM-240 XNE - HC 21 IM-240 XNE - HC 23 IM-240 XNE - HC 32



IM-240 DNE-HC - Basic model with top panel
 IM-240 XNE-HC - Stackable model with conveyor kit
 IM-240 XNE-HC - Stackable model with conveyor kit

B-340 SA



IM "XL" Cube
 Extra Large approx. 31 g
 Size code: -23

The "XL" Cube provides (when compared to same weight but different shape ice):

- minimum air/water ratio
- minimum temperature (sub-freezing)
- minimum heat exchange surface
- lowest flavour dilution
- longest chill
- maximized repeat business

Powered by R290 Natural Refrigerant, energy efficient and sustainable, with a GWP = 3. Energy savings may vary depending on electrical specs when compared to HFC equivalent model.



SERIES: MODULAR ICE MAKER
 ITEM: M071-D103

FEATURES:

- Modular cube ice maker, powered by Natural Refrigerant R290.
- Horizontal evaporator, with water injection.
- Air cooled condenser.
- Dimensions: 1084 x 700 x 500 mm
- Produces high density, slow melting, geometrically pure (cubic) Extra Large – XL ice cubes (32x32x32mm, approx.31 g), at sub-cooled temperature.
- Up to 190 kg of ice produced per 24 hours (approx. 5,940 ice cubes per day).
- Closed water circuit for airborne bacterial cross-contamination protection. Evaporator and water circuit easily reachable for manual cleaning and sanitation.
- Electronic control board, with optimized ice making process irrespective of ambient temperature, varies quantity of water rinse after each production cycle, accommodating local water quality conditions.
- Magnetically-driven water pump.
- Front-panel installed air-louvers, with dust-collecting filter, easily removable for regular manual cleaning.
- Stackable, double or triple machine columns (model XNE is used for stacking).
- Matching storage bin sold separately.



COMMERCIAL WARRANTY AGAINST MANUFACTURING DEFECTS

PARTS **2** YEARS LABOR **2** YEARS

EXTERIOR FINISH

Stainless Steel

Refrigerant: R290

OPERATING CONDITIONS LIMITATIONS

- Ambient Temperature Range: 1 °C / 40 °C
- Water temperature Range: 5 °C / 35 °C
- Water Supply Pressure: 0,7 bar min. / 8 bar max.
- Voltage Range: 198V - 254V

MODEL	Cooling	Max. production in 24h Air 10 °C Water 10 °C (kg)	Max. production in 24h Air 21 °C Water 15 °C (kg)	Electric Connection	Electrical circuit breaker protection (A)	Electrical consumption 24h power factor 97%	Water consumption liters m ³ /24h @10 °C/10 °C (ice production)
IM-240DNE-HC-32	Air	190	175	1/220-240V/50Hz	5	930	0.53

TECHNICAL CERTIFICATIONS

For more information visit our website at www.hoshizaki-europe.com
 Hoshizaki Europe B.V. retains the right to change products and their specifications without prior notice.

Hoshizaki Europe B.V.
 Burgemeester Stramanweg 101,
 1101 AA Amsterdam
 The Netherlands

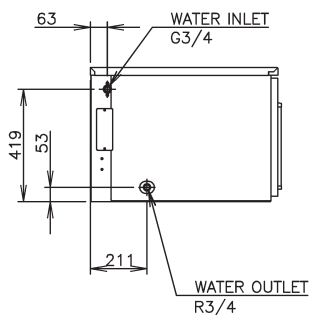
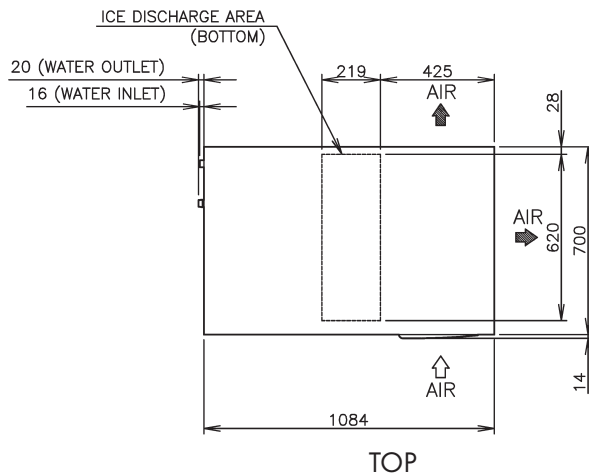
T: +31 (0)20 691 8499
 F: +31 (0)20 691 8768
 sales@hoshizaki.nl
 www.hoshizaki-europe.com

IM-240 DNE - HC 32

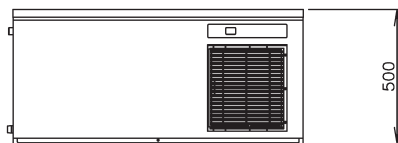


HOSHIZAKI

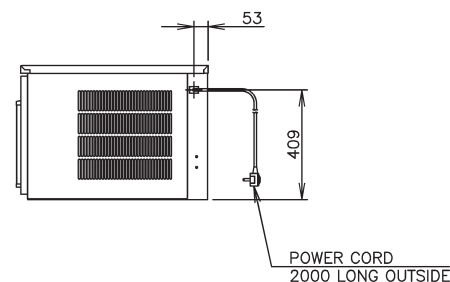
Ecological ice maker for IM cubes with separate container.
Ice production up to 190 kg/24h.
Stackable model.



RIGHT SIDE



FRONT



LEFT SIDE

SHIPPING SPECIFICATIONS

MODEL	Net Equipment Dimensions		Crated dimensions		
	W x D x H (mm)	Net Weight (kg)	W x D x H (mm)	Gross Weight (kg)	Volume (m ³)
IM-240DNE-HC-32	1084 x 700 x 500	82	1196 x 825 x 640	96	0.63

ACCESSORIES
 • Installation Kit



Hoshizaki Belgium:
 Hoshizaki Denmark:
 Hoshizaki Deutschland:
 Hoshizaki France:
 Hoshizaki Iberia:
 Hoshizaki Italia:

info@hoshizaki.be
 info@hoshizaki.dk
 info@hoshizaki.de
 info@hoshizaki.fr
 info@hoshizaki.es
 info@hoshizaki.it

Hoshizaki Middle East:
 Hoshizaki Netherlands:
 Hoshizaki Norge:
 Hoshizaki United Kingdom:
 Hoshizaki Sverige:
 Export Countries:

sales@hoshizaki.ae
 info@hoshizaki.nl
 info@hoshizaki.no
 uksales@hoshizaki.co.uk
 info@hoshizaki.se
 sales@hoshizaki.nl

www.hoshizaki-europe.com